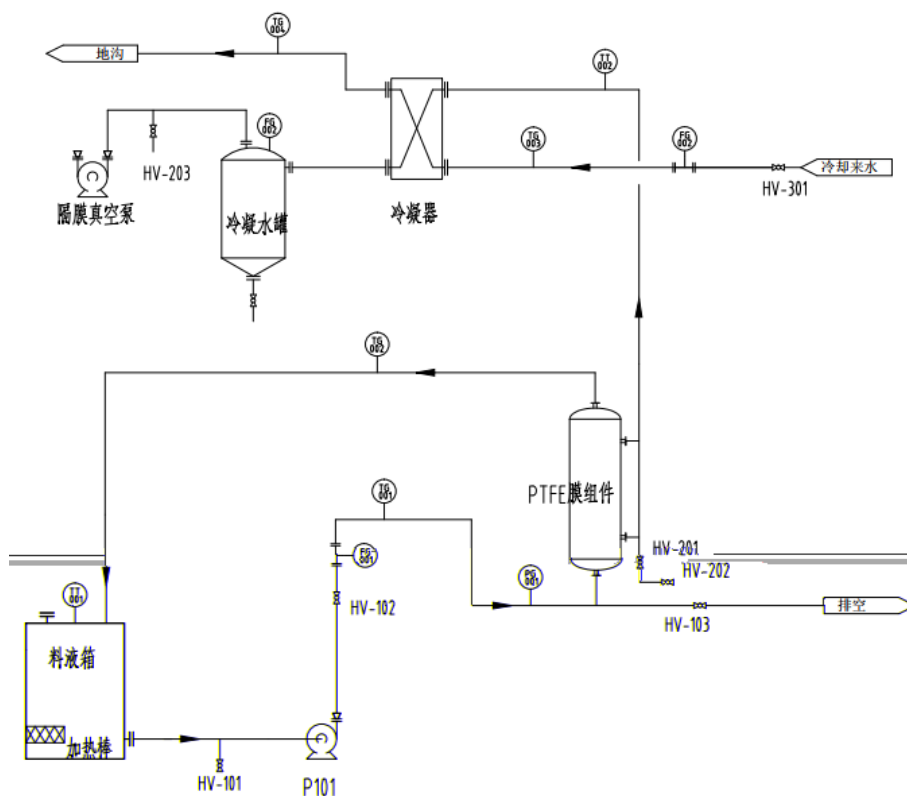


WTM-VMD2020-1



1

2

3

4

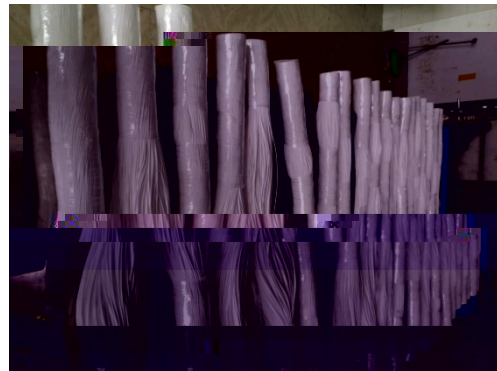
PTFE

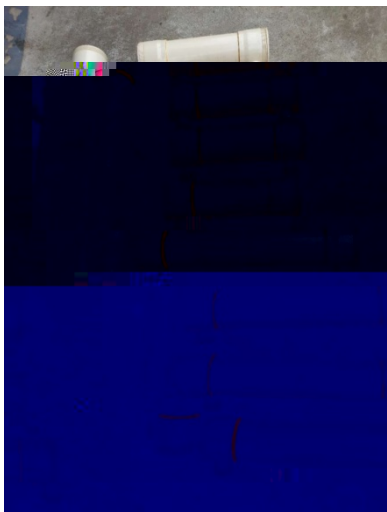
PTFE

PP

PVDF

PTFE





PTFE



PTFE

1

2

pH 20%

3

-

	—		
	50*L500		
	0.7	m ²	
	3-5	LMH	
	2.1—3.5	L/h	
	0-14		
	4--80		

1		PE 20L	1	
2		PVDF	1	
3		MD2020 PTFE 2 0.7 CPVC	1	
4			1	
5		2.5KW	1	
6			1	
7		3L	1	
8				
9				
10				
11		DN15	1	
12		DN15	1	
13		DN15	1	
14		DN15	1	
15			1	
16			1	

